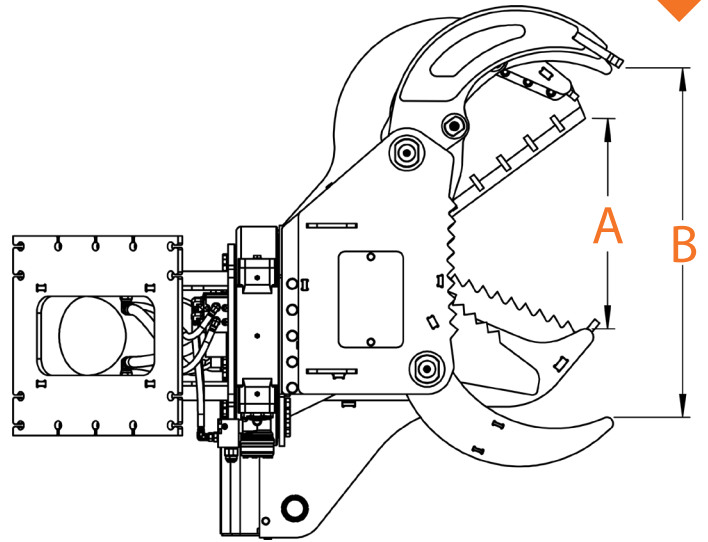
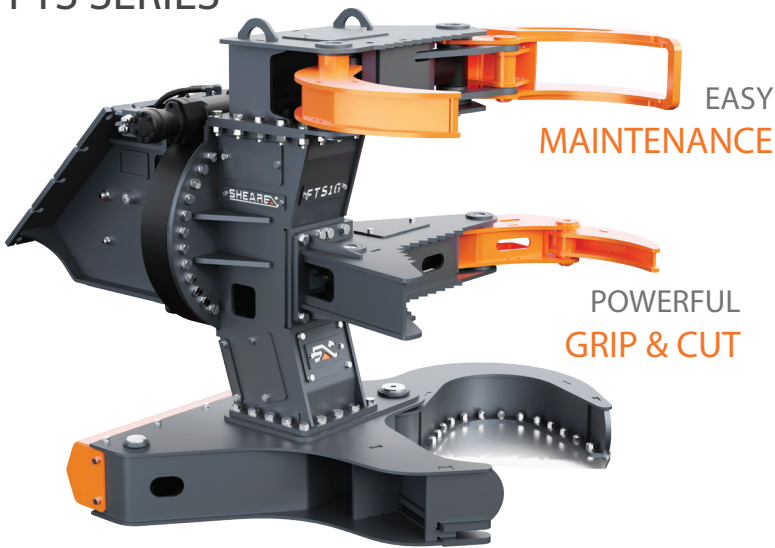
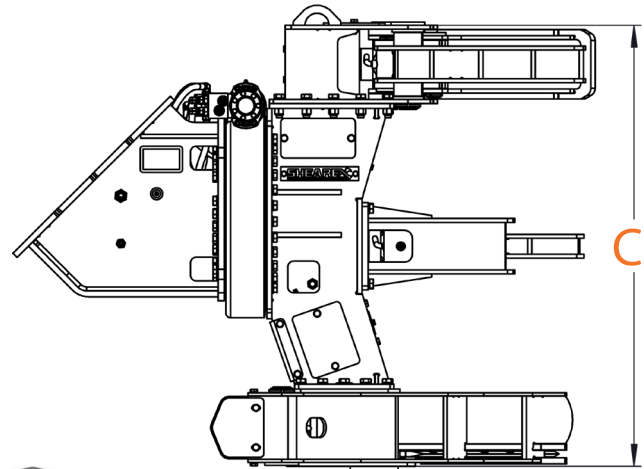
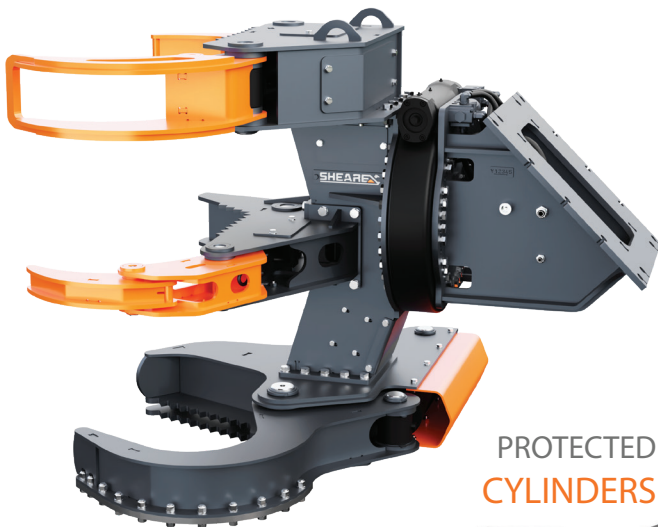


TREE SHEAR

FTS SERIES



360 DEGREES OF POWERFUL ROTATION



SPECIFICATIONS

	Carrier	lbs (kg) Weight	in (mm) A Opening	in (mm) B Grappling	in (mm) C Height	(t) Force	PSI (bar) Pressure	gpm (L/min) Hyd. Flow
FTS05	3t-7t	750 (341)*	35 (889)	35 (889)	22.99 (584)	11	3,191 (220)	13-15 (50-60)
FTS07	5t-9t	950 (431)*	35 (889)	35 (889)	23.98 (609)	11	3,191 (220)	13-15 (50-60)
FTS12	8t-14t	1,300 (590)*	17.99 (457)	33.46 (850)	47.01 (1194)	16	3,626 (250)	15-21 (60-80)
FTS16	12t-18t	2,420 (1,100)*	25 (635)	42.99 (1092)	55.98 (1422)	37	4,351 (300)	21-26 (80-100)
FTS20	16t-24t	3,960 (1,800)*	29.5 (749)	42.99 (1092)	67.99 (1727)	45	4,351 (300)	34-40 (130-150)
FTS25	21t-35t	4,620 (2,100)*	33.5 (850)	58.98 (1498)	72.99 (1854)	51	4,351 (300)	40-48 (150-180)

The information is subject to change without notice.
*weight do not include rotation and accumulator.

sales@shearex.ca - 579-213-0350

325, rue de l'Église, Roxton Falls, QC J0H 1E0



A GRYB COMPANY

SH-SAS-TREE_SHEAR-E-22-01